

DRAWER MICROWAVE

INSTALLATION INSTRUCTIONS

WOLF[®]



CONTACT INFORMATION

**Wolf Customer
Service:**
800-332-9513

Website:
wolfappliance.com

As you follow these instructions, you will notice **WARNING** and **CAUTION** symbols. This blocked information is important for the safe and efficient installation of Wolf equipment. There are two types of potential hazards that may occur during installation.

⚠ CAUTION

signals a situation where minor injury or product damage may occur if you do not follow instructions.

⚠ WARNING

states a hazard that may cause serious injury or death if precautions are not followed.

Another footnote we would like to identify is **IMPORTANT NOTE**: This highlights information that is especially relevant to a problem-free installation.

INSTALLATION REQUIREMENTS

IMPORTANT NOTE: This installation must be completed by a qualified installer or Wolf authorized service center technician. Save this installation manual for local electrical inspector’s use. Read and save these instructions for future reference.

INSTALLER

- Read all of the Installation Instructions before installing the drawer microwave.
- Remove all packing material before connecting the electrical supply.
- Observe all governing codes and ordinances.
- Be sure to leave these instructions with the consumer.

CONSUMER

Keep this manual with your Use & Care Guide for future reference.

- As when using any microwave oven generating heat, there are certain safety precautions you should follow. These are listed in the Use & Care Guide. Read all and follow carefully.
- Be sure your drawer microwave is installed and grounded properly by a qualified installer or service technician.

Any questions or problems regarding the installation should be directed to your dealer or Wolf Appliance, Inc. at 800-332-9513. You can also visit our website, wolfappliance.com.

CLEARANCES AND DIMENSIONS

⚠ WARNING

For safety considerations do not install drawer in any combustible cabinetry, which is not in accord with the stated clearances and dimensions on pages 6–8.

RATING PLATE LOCATION

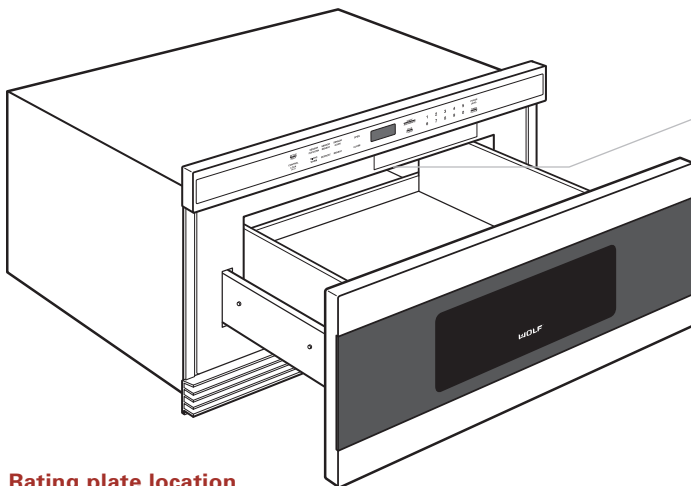
Record the model and serial numbers before installing the drawer microwave. Both numbers are listed on the product rating plate. Refer to the illustration below.

- The rating plate includes model and serial number. Open the drawer fully. The label is slightly beyond the back wall of the microwave cavity facing up from the flat surface.

RATING PLATE INFORMATION

Model Number

Serial Number



Rating plate: Open the drawer fully. The label is slightly beyond the back wall of the microwave cavity facing up from the flat surface.

Rating plate location

IMPORTANT SAFETY INSTRUCTIONS

⚠ WARNING

If the information in this manual is not followed exactly, a fire or electrical shock may result that could cause property damage, personal injury or death.

⚠ WARNING

Never leave children alone or unattended in the area where a drawer microwave is in use. Never leave the drawer open when the microwave is unattended.

⚠ WARNING

To reduce the risk of tipping, the drawer microwave must be secured by a properly installed Anti-Tip block.

This drawer microwave must be electrically grounded in accordance with local codes.

Make sure the wall coverings and the cabinets around the drawer microwave can withstand the heat generated by the drawer microwave.

⚠ WARNING

Stepping, leaning or sitting on the drawer may result in serious injuries and can also cause damage to the drawer microwave.

Do not use the drawer microwave as a storage space. This creates a potentially hazardous situation.

Check that the time-of-day is in the display. If not, touch Stop/Clear to prevent unintended use.

INSTALLATION INSTRUCTIONS

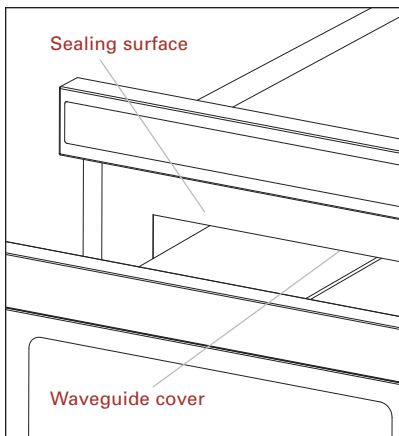
UNPACKING YOUR MICROWAVE

- Remove all packing materials from inside the drawer microwave. **Do not remove the waveguide cover**, which is located on the top of the drawer microwave.
- Remove the feature sticker, if there is one. Check the drawer for any damage, such as misaligned or bent drawer, damaged drawer seals and sealing surfaces, broken or loose drawer guides and dents inside the cavity or on the front side of the drawer. If there is any damage, do not operate the drawer microwave and contact your dealer or a Wolf authorized service center.

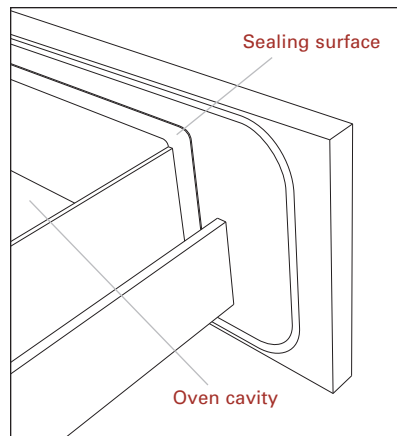
Refer to the illustrations below.

CLEARANCES AND DIMENSIONS

- Dimensions shown on the following pages must be used. Given dimensions provide minimum clearance. Locate electrical outlet in the shaded area in the upper left-hand corner of the cutout. See page 9.
- Contact surface must be solid and level. Pay special attention to the floor on which the drawer microwave will sit. The floor of the opening should be constructed of plywood strong enough to support the weight of the oven, about 100 pounds (45 kg).
- Check location where the drawer microwave will be installed for proper electrical supply.
- Your oven can be built into a cabinet or wall by itself or under a gas or electric wall oven.
- Be sure that the clearance of the floor between the wall oven and the drawer microwave is a minimum of 2" (51).
- The microwave interior will easily accommodate a 9" (229) x 13" (330) oblong dish or a bag of microwave popcorn.
- The trim will overlap cabinetry by $\frac{7}{16}$ " (11) at the top, $\frac{1}{8}$ " (3) at the bottom and $\frac{3}{4}$ " (19) on each side.



Waveguide cover location



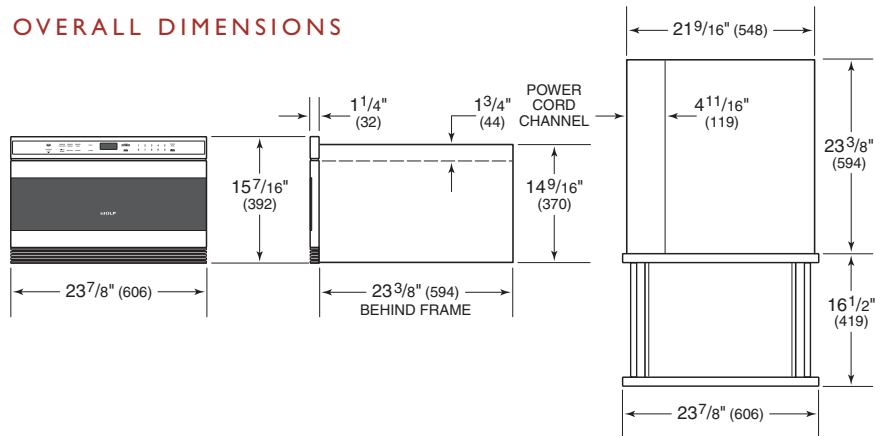
Sealing surface location

Dimensions in parentheses are in millimeters unless otherwise specified.

WOLF DRAWER MICROWAVE

24" (610) DRAWER MICROWAVE

OVERALL DIMENSIONS



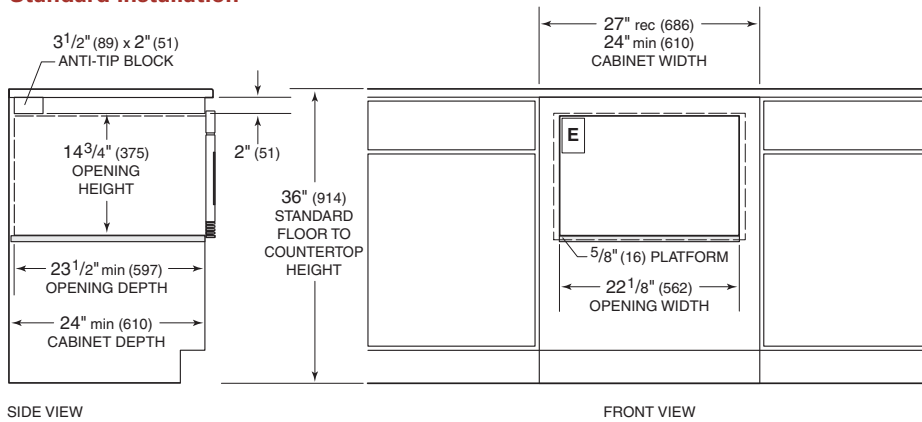
INSTALLATION SPECIFICATIONS

Standard Installation

The drawer microwave can also be installed using an electrical outlet in an adjacent cabinet within the area where the provided electrical cord can reach. Power cord access hole in cabinet should be a minimum 1 1/2" (38) diameter hole and deburred of all sharp edges.

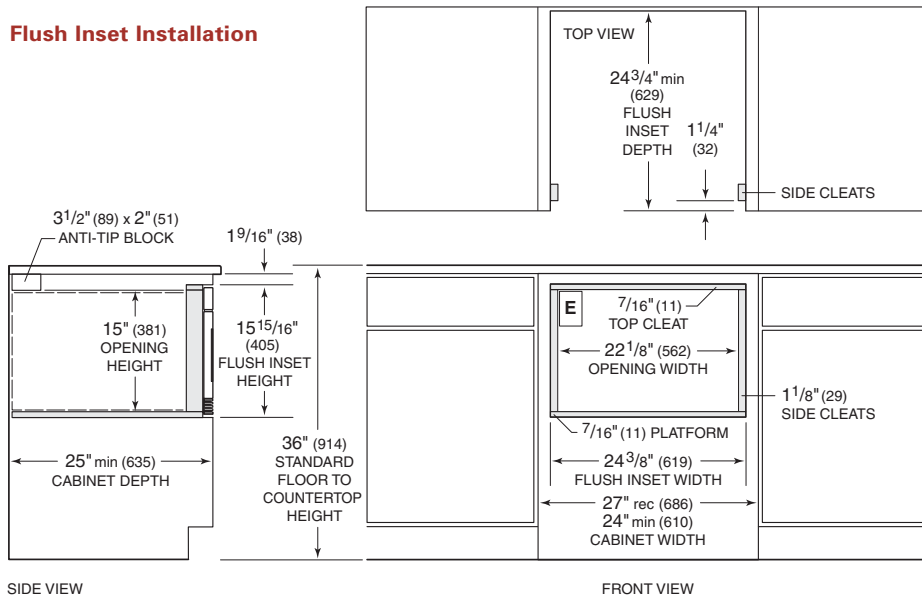
IMPORTANT NOTE:
Always allow sufficient power cord length to the electrical outlet to prevent tension.

Always check electrical codes for requirements.



Dashed lines represent profile of unit.

Flush Inset Installation



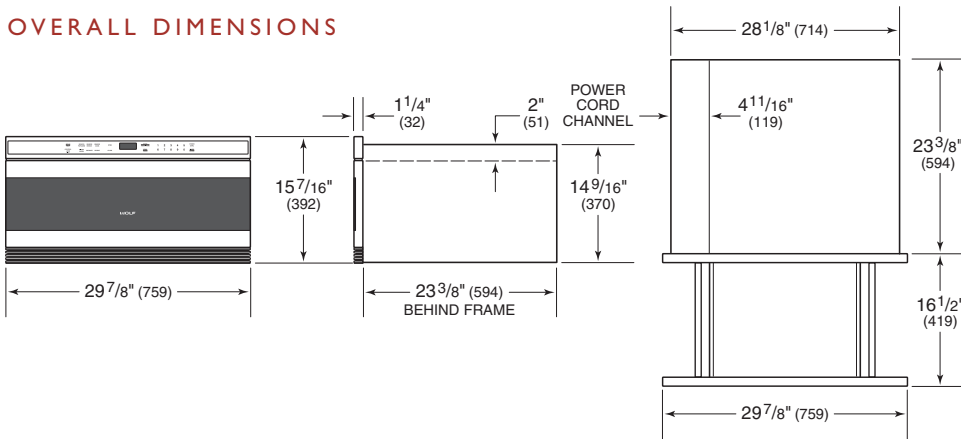
Dashed line represents profile of unit.

Dimensions in parentheses are in millimeters unless otherwise specified.

INSTALLATION INSTRUCTIONS

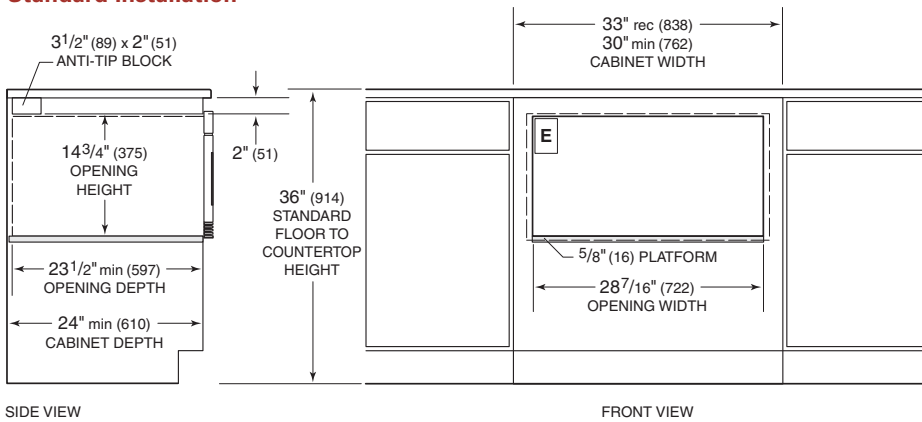
30" (762) DRAWER MICROWAVE

OVERALL DIMENSIONS



INSTALLATION SPECIFICATIONS

Standard Installation

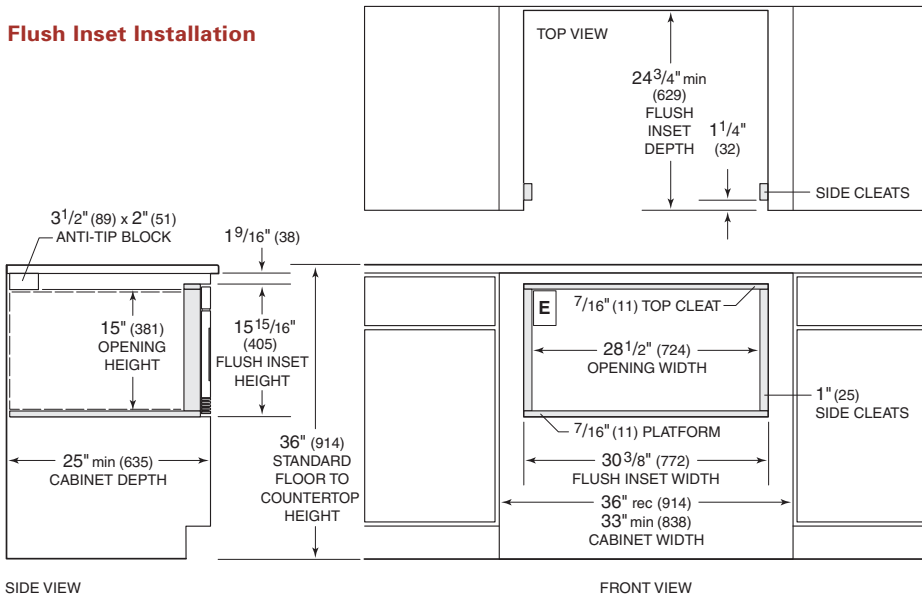


SIDE VIEW

FRONT VIEW

Dashed lines represent profile of unit.

Flush Inset Installation



SIDE VIEW

FRONT VIEW

Dashed line represents profile of unit.

The drawer microwave can also be installed using an electrical outlet in an adjacent cabinet within the area where the provided electrical cord can reach. Power cord access hole in cabinet should be a minimum 1 1/2" (38) diameter hole and deburred of all sharp edges.

IMPORTANT NOTE:
Always allow sufficient power cord length to the electrical outlet to prevent tension.

Always check electrical codes for requirements.

30" (762) DRAWER MICROWAVE

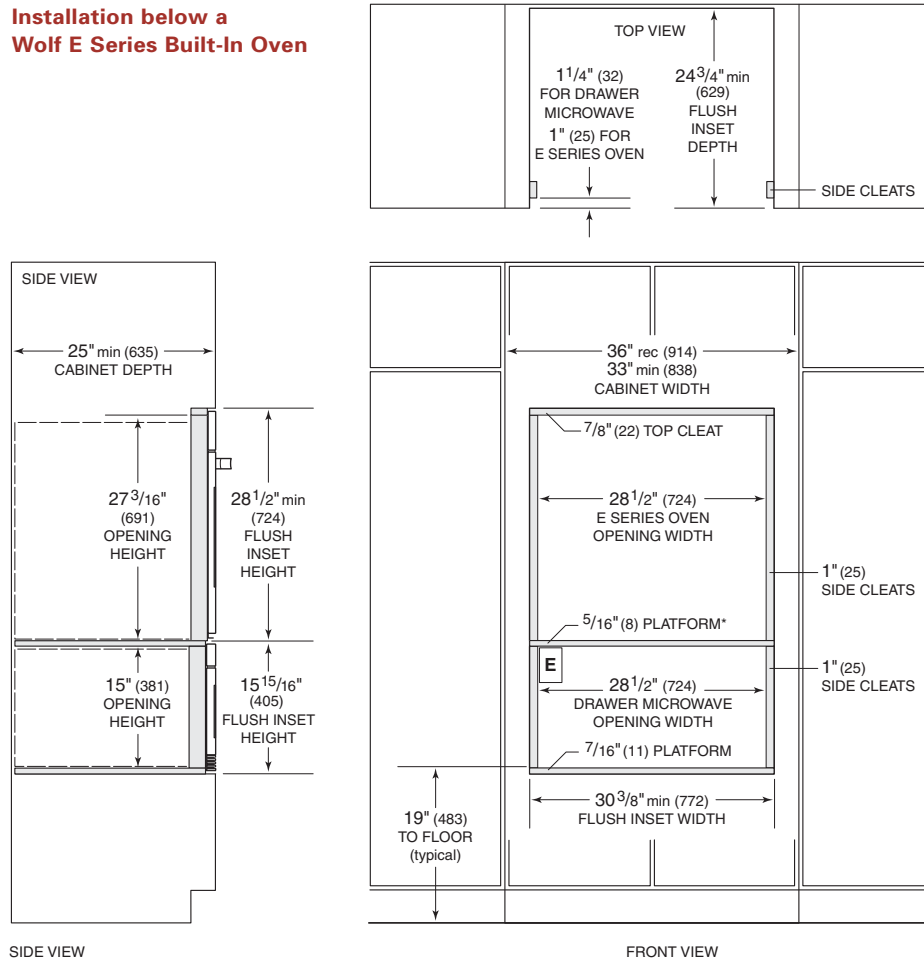
INSTALLATION SPECIFICATIONS

Installation below a Wolf E Series Built-In Oven

The drawer microwave can also be installed using an electrical outlet in an adjacent cabinet within the area where the provided electrical cord can reach. Power cord access hole in cabinet should be a minimum 1 1/2" (38) diameter hole and deburred of all sharp edges.

IMPORTANT NOTE: Always allow sufficient power cord length to the electrical outlet to prevent tension.

Always check electrical codes for requirements.



*Platform must be able to support 250 lbs (113 kg). Refer to the 30" (762) E Series built-in oven specifications for electrical location. Dashed lines represent profile of unit.

ANTI-TIP BLOCK

INSTALL ANTI-TIP BLOCKING

To reduce the risk of tipping of the drawer, the Anti-Tip block must be properly installed located 14^{13/16}" (376) above the floor on which the drawer microwave will sit. The 6" (152) Anti-Tip block must be provided by the installer. See pages 6–7. The Anti-Tip block prevents serious injury that might result from spilled hot liquids.

If the drawer microwave is ever moved to a different location, the Anti-Tip block must also be moved and installed. When installed to the wall, make sure that the screws completely penetrate the dry wall and are secured in wood or metal so that the block is totally stable. When fastening, be sure that the screws do not penetrate electrical wiring or plumbing.

ELECTRICAL REQUIREMENTS

ELECTRICAL OUTLET LOCATION

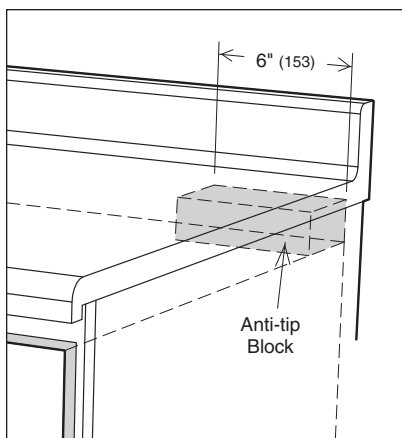
The electrical requirements are a 120 volt 60 Hz, AC only, 15 amp or more protected electrical supply. It is recommended that a separate circuit serving only this appliance be provided.

The drawer is equipped with a 3-prong grounding plug. It must be plugged into a wall receptacle that is properly installed and grounded. Should you only have a 2-prong outlet, have a qualified electrician install a correct wall receptacle.

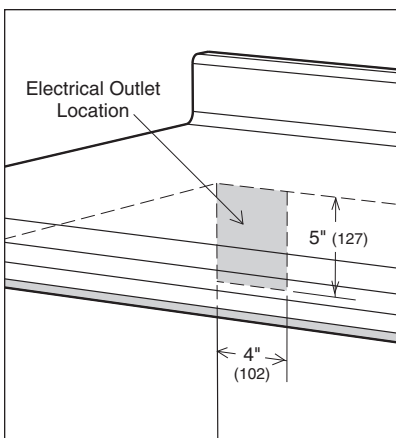
NOTE: If you have any questions about the grounding or electrical instructions, consult a qualified electrician or service person.

IMPORTANT NOTE

You must follow all National Electrical Code regulations. In addition, be aware of local codes and ordinances when installing your service.



Anti-tip block



Electrical Outlet

Dimensions in parentheses are in millimeters unless otherwise specified.

ELECTRICAL REQUIREMENTS

GROUNDING INSTRUCTIONS

IMPORTANT NOTE

You must follow all National Electrical Code regulations. In addition, be aware of local codes and ordinances when installing your service.

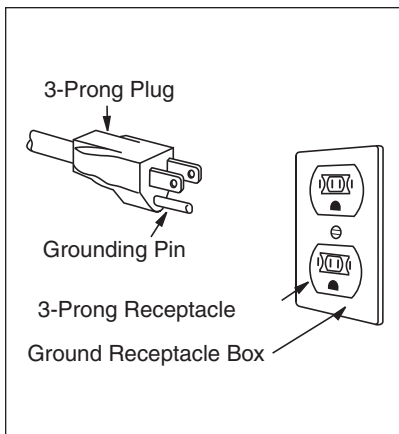
This appliance must be grounded. The drawer microwave is equipped with a cord having a grounding wire with a grounding plug. It must be plugged into a wall receptacle that is properly installed and grounded in accordance with the National Electrical Code and local codes and ordinances. In the event of an electrical short circuit, grounding reduces risk of electric shock by providing an escape wire for the electric current.

⚠ WARNING

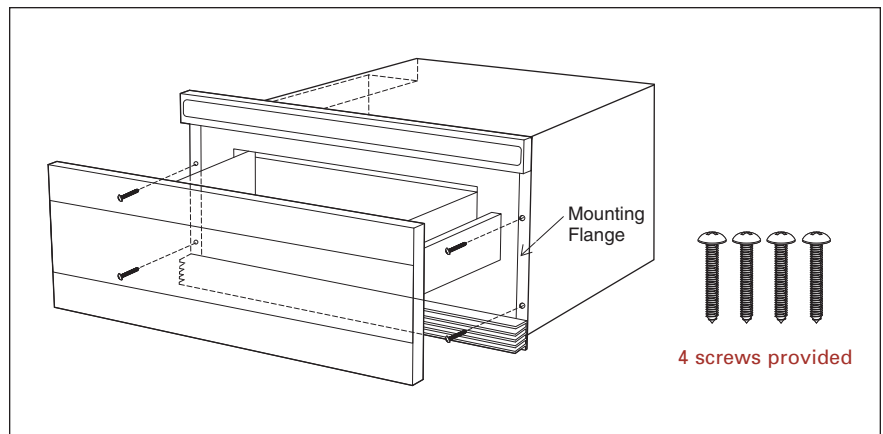
Improper use of the grounding plug can result in a risk of electric shock. Do not use an extension cord. If the power supply cord is too short, have a qualified electrician or serviceman install an outlet near the appliance.

DRAWER INSTALLATION

- 1) Place the drawer adjacent to the wall or cabinet opening. Plug the power supply cord into the electrical outlet.
- 2) Carefully guide the drawer into the prepared opening. Avoid pinching the cord between the oven and the wall.
- 3) Slide the drawer all the way until the mounting flange is flush with the face of the cabinet. See illustration below.
- 4) Open the drawer. Using the 4 holes on the drawer as a template, pre drill the cabinet using a 1/16" (1.6) bit. See illustration below.
- 5) Secure the drawer with the 4 screws supplied. See illustration below.



Grounding



Drawer installation

Dimensions in parentheses are in millimeters unless otherwise specified.

IF YOU NEED SERVICE

- Maintain the quality built into your drawer microwave by calling a Wolf authorized service center.
- To obtain the name and number of a Wolf authorized service center, check the Contact & Support section of our website, **wolfappliance.com** or call Wolf Customer Service at **800-332-9513**.
- When calling for service, you will need the model and serial numbers of the drawer microwave. Both numbers are listed on the product rating plate. Refer to the illustration on page 3.

CONTACT INFORMATION

Wolf Customer Service:
800-332-9513

Website:
wolfappliance.com

The information and images in this book are the copyright property of Wolf Appliance, Inc., an affiliate of Sub-Zero, Inc. Neither this book nor any information or images contained herein may be copied or used in whole or in part without the express written permission of Wolf Appliance, Inc., an affiliate of Sub-Zero, Inc.

©Wolf Appliance, Inc. all rights reserved.

WOLF APPLIANCE, INC. P.O. BOX 44848 MADISON, WI 53744 800-332-9513 WOLFAPPLIANCE.COM

WOLF[®]

